

## 2 PIECES DEADMAN STAINLESS STEEL BALL VALVE PN63 ATEX DIN M3 FEMALE BSP

2 pieces deadman stainless steel ball valve DIN M3 with full bore for Chemical industries, petrochemical industries, hydraulic installation, heating, water distribution and compressed air.

Length according to EN 16722 Series M3 (DIN long pattern M3)

PTFE packing and PTFE filled with 15% Glass fiber seat for a temperature up to +180°C.

Compatible with explosive atmosphere, ATEX Zone 1&21 and Zone 2&22 thanks to the antistatic device.



**Certificate**

**3.1**



**Size :** DN1/4" to DN1"

**Connection :** Female BSP

**Min Temperature :** -25°C

**Max Temperature :** +180°C

**Max Pressure :** 63 Bars

**Specifications :** Long pattern DIN M3

Deadman device, spring return

Anti blow-out stem

ATEX

Full bore

**Materials :** Stainless Steel ASTM A351 CF8M

**2 PIECES DEADMAN STAINLESS STEEL BALL VALVE PN63 ATEX DIN M3 FEMALE BSP**

**SPECIFICATIONS :**

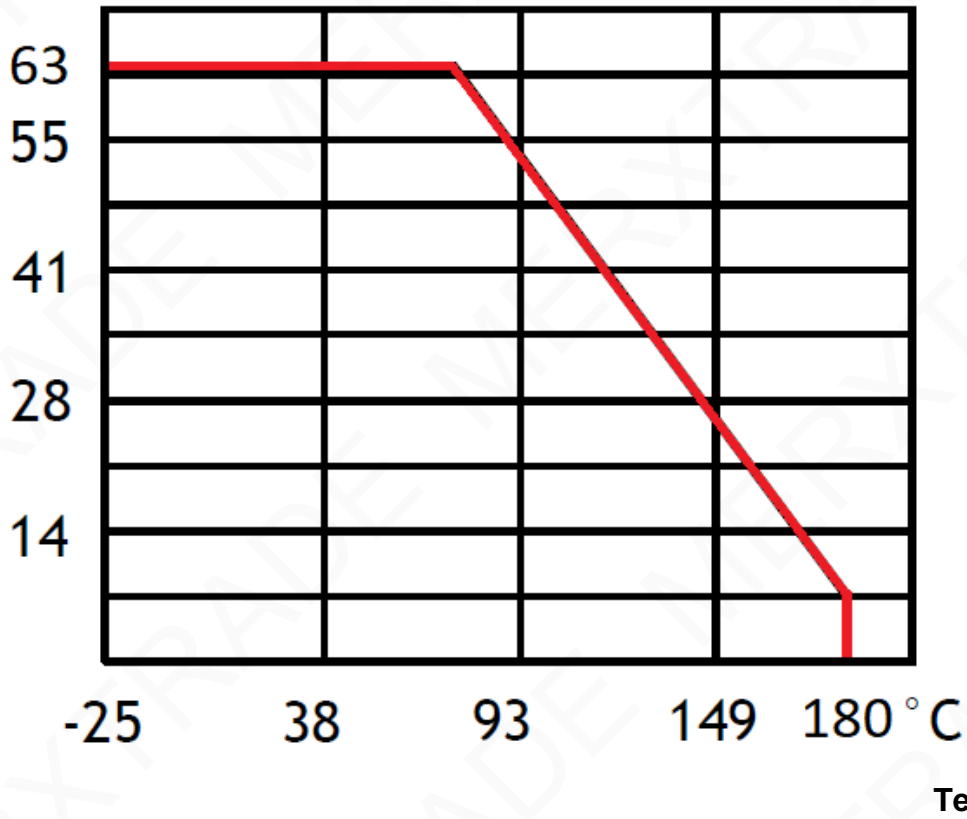
- Deadman device (spring return)
- Full bore
- Anti blow-out stem
- PTFE packing
- Locking device
- Solid ball
- 2 pieces type
- ATEX

**USE :**

- Chemical and pharmaceutical industries, petrochemical industries, hydraulic installation, compressed air
- Min and max Temperature Ts : -25°C to + 180°C
- Max Pressure Ps : 63 bars ( see graph under )

**PRESSURE / TEMPERATURE GRAPH ( STEAM EXCLUDED ) :**

**Pressure (Bar)**



**2 PIECES DEADMAN STAINLESS STEEL BALL VALVE PN63 ATEX DIN M3 FEMALE BSP**

**FLOW COEFFICIENT Kvs ( M3 / h ) :**

DN	1/4"	3/8"	1/2"	3/4"	1"
Kvs (m3/h)	18.7	21.7	31.3	57.9	94.2

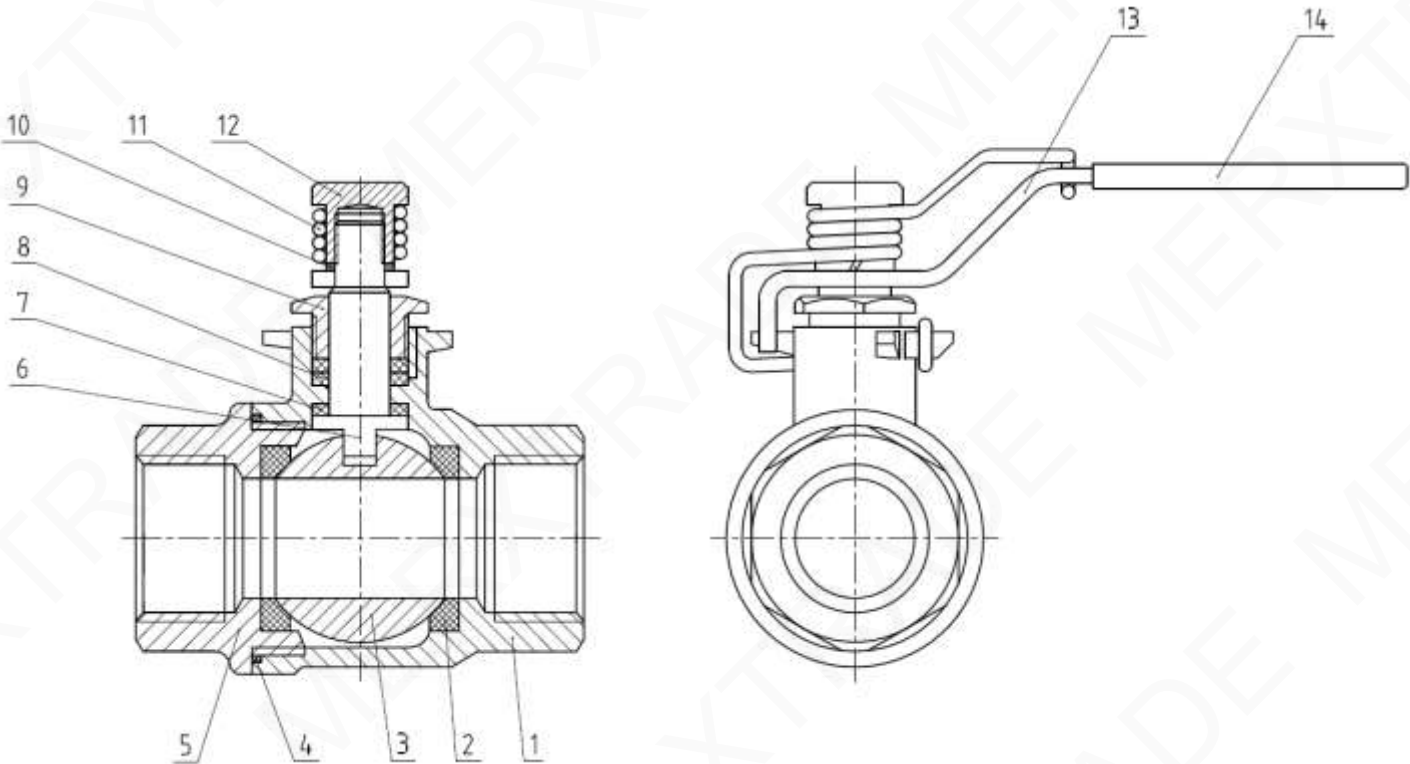
**RANGE :**



- Deadman stainless steel ball valve BSP threaded with red handle **Ref. 7062** DN 1/4" to DN 1"

**2 PIECES DEADMAN STAINLESS STEEL BALL VALVE PN63 ATEX DIN M3 FEMALE BSP**

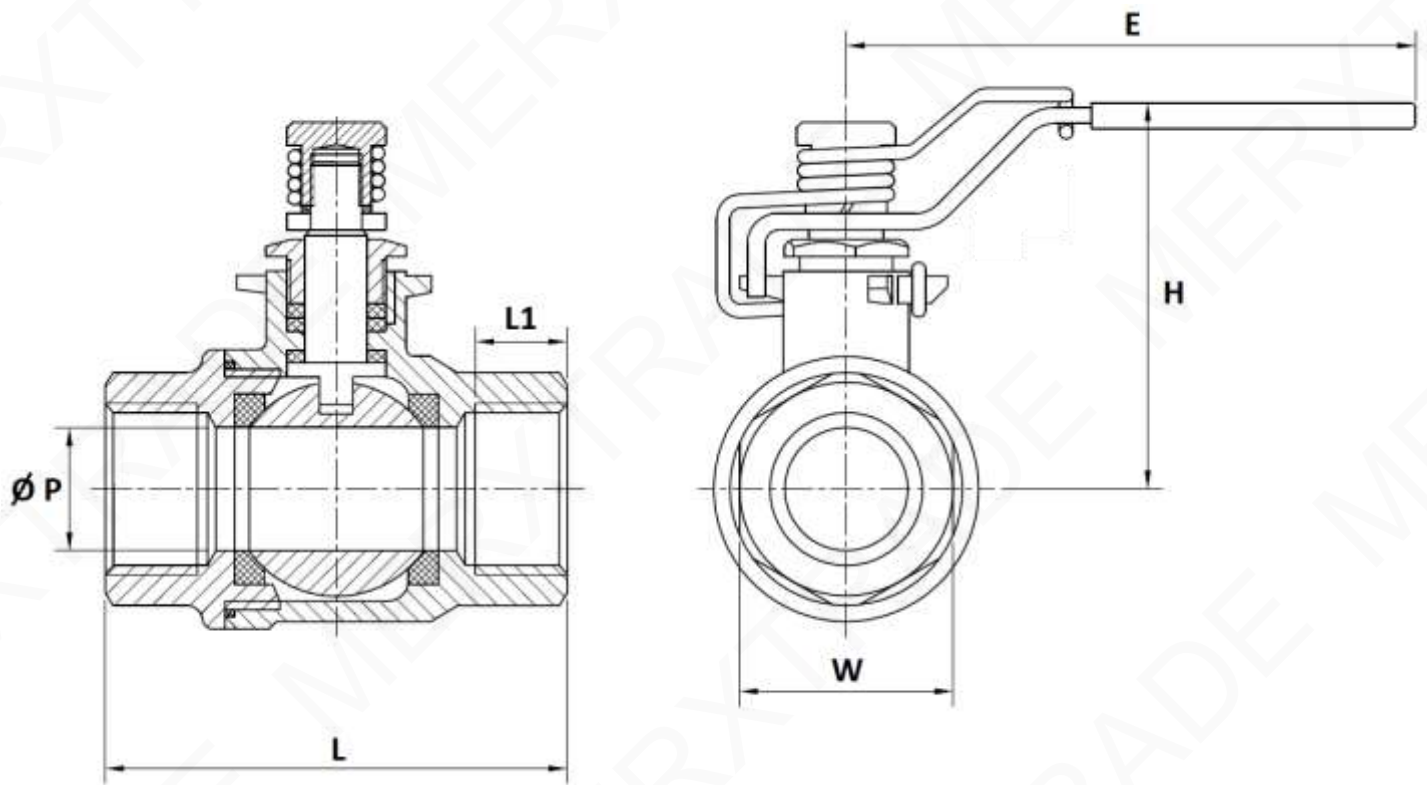
**MATERIALS :**



Item	Designation	Materials
1	Body	ASTM A351 CF8M
2	Seat	PTFE filled with 15% glass fiber
3	Ball	AISI 316
4	Body gasket	PTFE
5	Ends	ASTM A351 CF8M
6	Stem	AISI 316
7	Thrust washer	PTFE
8	Packing	
9	Packing nut	AISI 304
10	Washer	
11	Spring return	AISI 301
12	Handle nut	AISI 304
13	Handle	
14	Handle cover	Plastic

**2 PIECES DEADMAN STAINLESS STEEL BALL VALVE PN63 ATEX DIN M3 FEMALE BSP**

SIZE ( in mm ) :



DN	1/4"	3/8"	1/2"	3/4"	1"
Ø P	10	12.5	15	20	25
L	50	60	75	80	90
Ø D	6		8		
E	105			118	150
H	50		52	57	78
L1	9	12	15	16	19
W (on flat)	22		26	32	39
Weight (Kg)	0.24	0.24	0.36	0.53	0.8

**2 PIECES DEADMAN STAINLESS STEEL BALL VALVE PN63 ATEX DIN M3 FEMALE BSP**

**STANDARDS :**

- Manufacturer certified ISO 9001 : 2015 and ISO 14001:2015
- DIRECTIVE 2014/68/EU : For liquids and gas of Group 1
  - DN1/4"-1" : Article 4, §3 (SEP), no CE marking
- Certificate 3.1 on request
- Pressure Tests according to API 598
- Threaded ends BSP cylindrical according to ISO 228-1
- Length according to EN 16722 Series M3 ( DIN 3202 M3 )
- ATEX Group II Category 2 G/2D T2 Zone 1 & 21 Zone 2 & 22 ( optional marking )

**ADVICE :** Our opinion and our advice are not guaranteed and merxtrade shall not be liable for the consequences of damages.  
The customer must check the right choice of the products with the real service conditions.